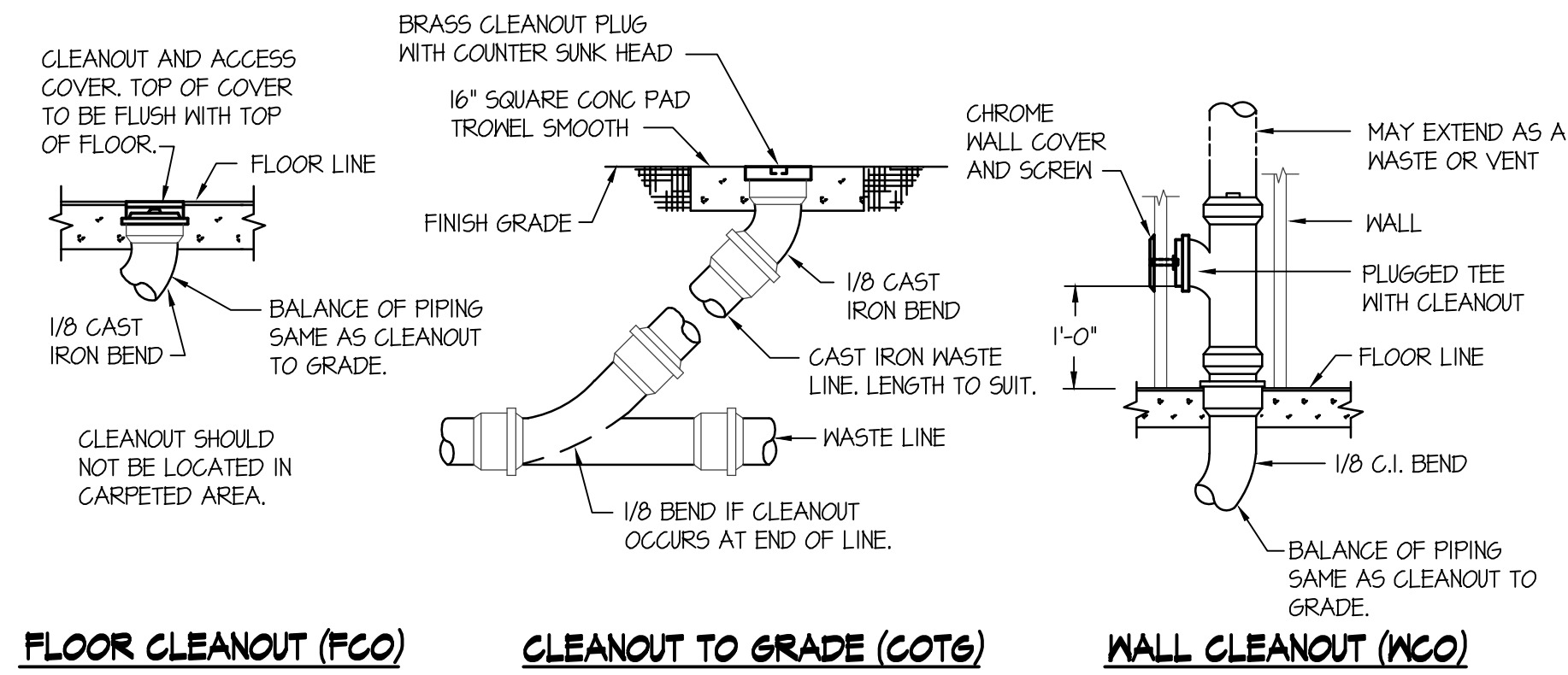


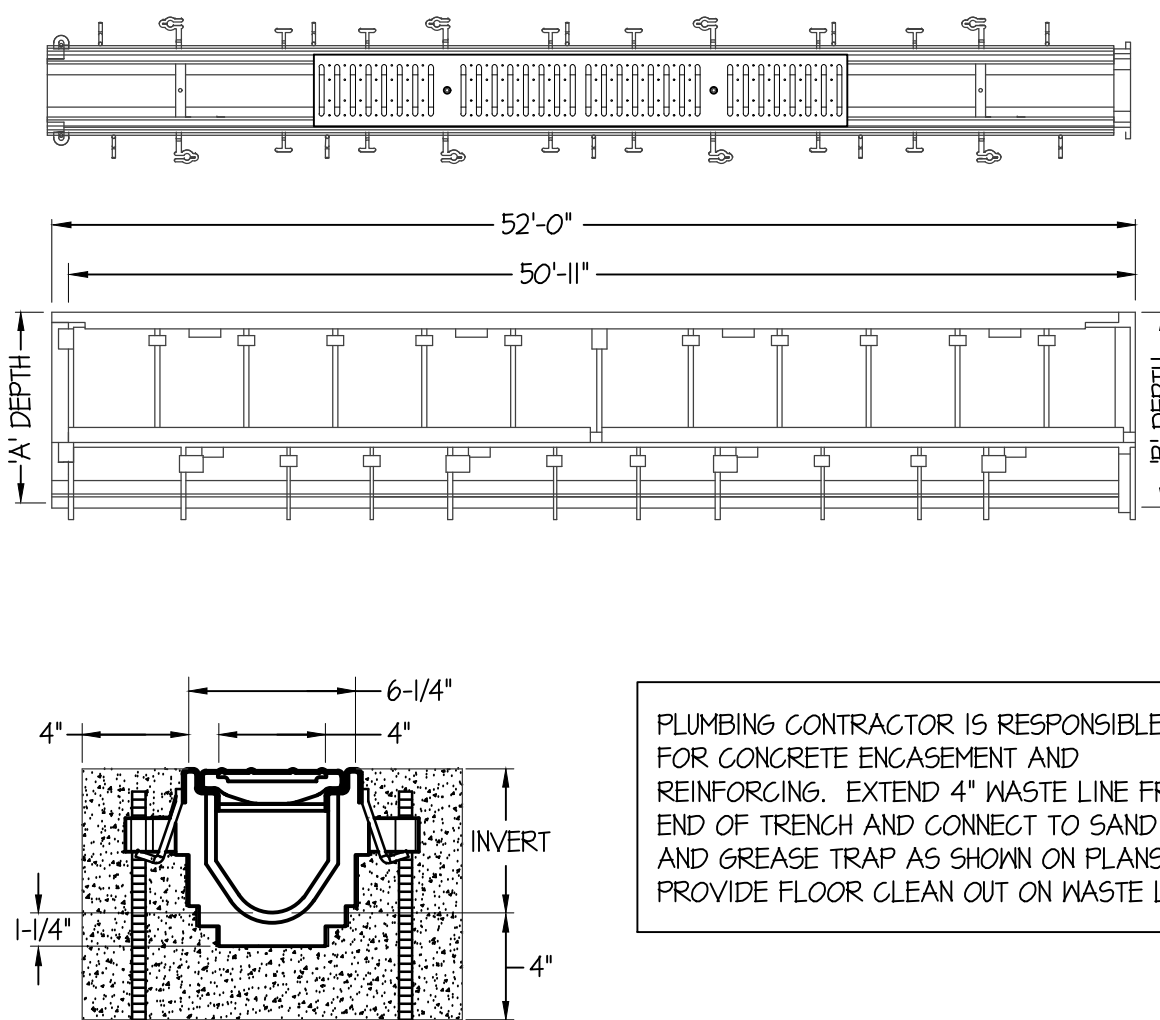
**UNDERGROUND PIPE INSULATION**  
NO SCALE



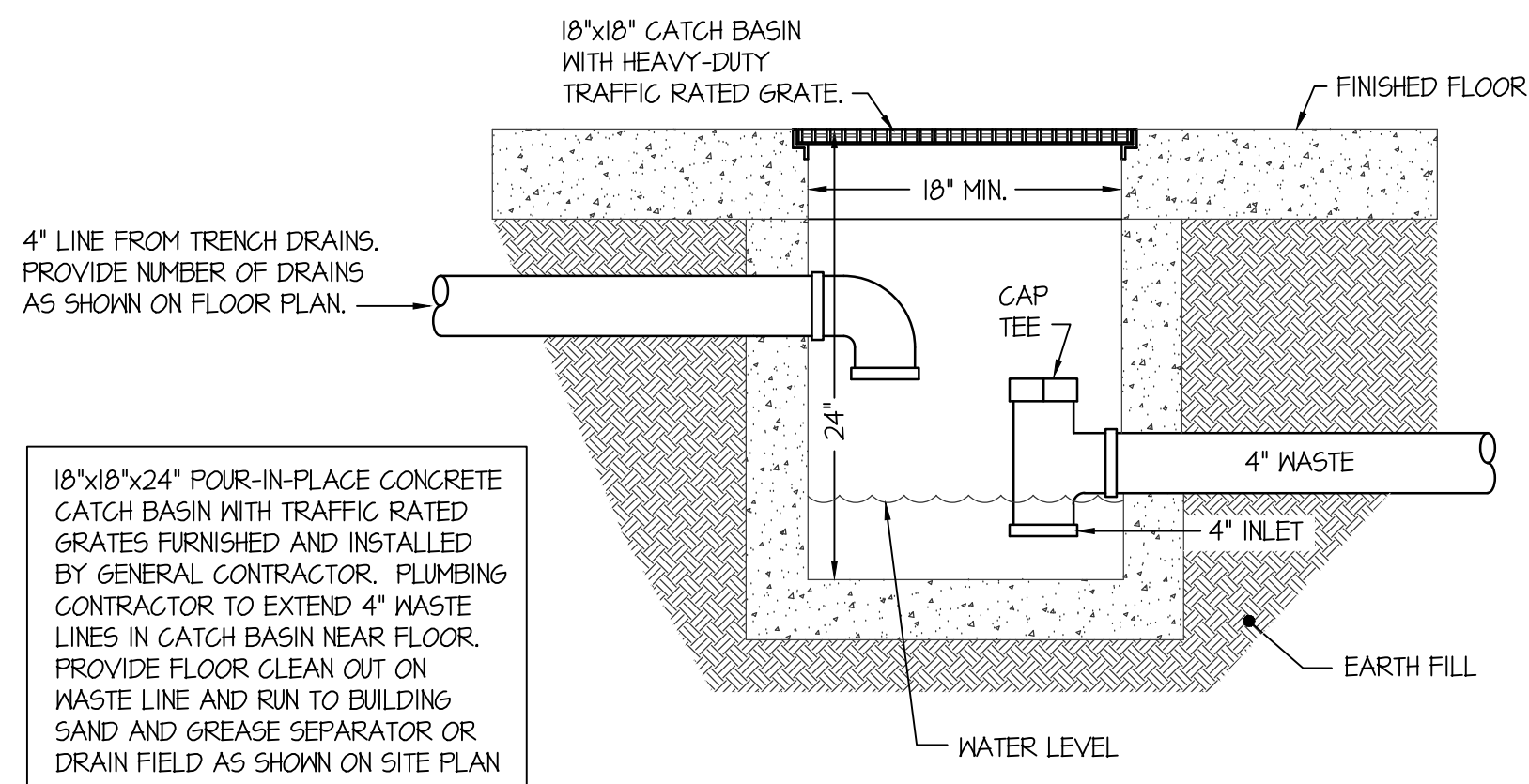
**FLOOR CLEANOUT (FCO) CLEANOUT TO GRADE (COTG) WALL CLEANOUT (MCO)**  
**CLEAN OUT DETAILS**  
NO SCALE

TRENCH SECTIONS		
TRENCH NO. *	SHALLOW INVERT 'A'	DEEP INVERT 'B'
8604	5.30"	5.40"
8605	5.90"	6.50"
8606	6.50"	7.10"
8607	7.10"	7.70"
8608	7.70"	8.30"
8609	8.30"	8.90"
8610	8.90"	9.50"
86011	9.50"	10.10"

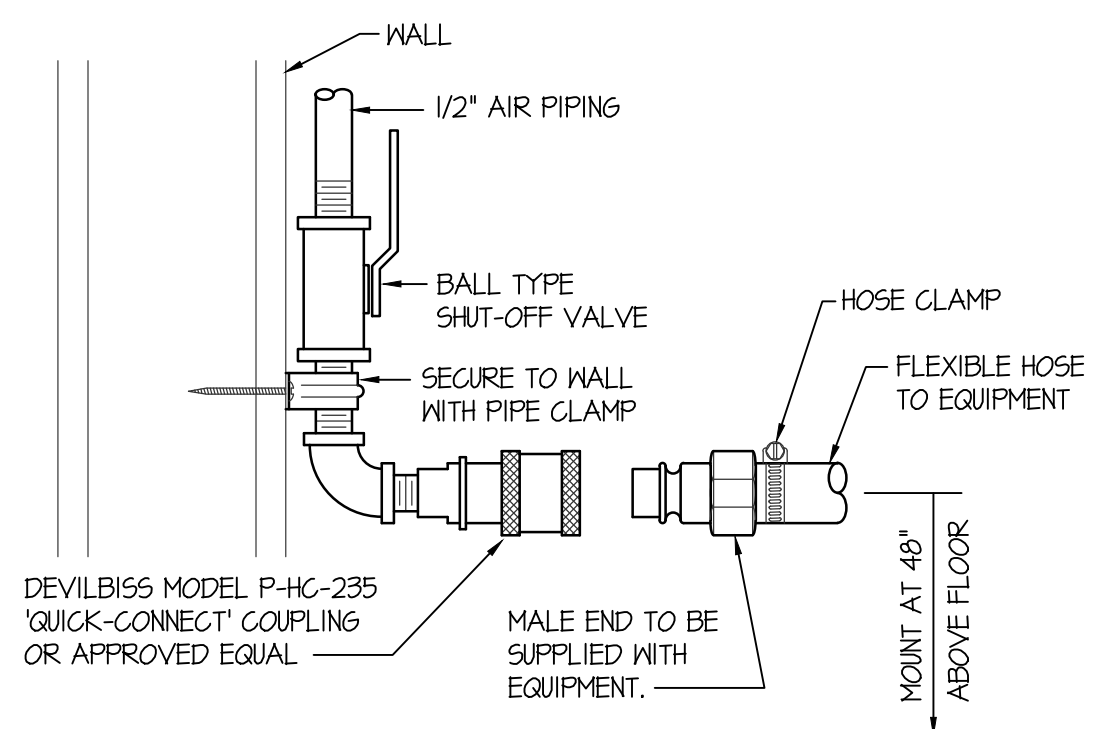
\* TRENCH SECTIONS ARE 80' LONG. DO NOT USE NEUTRAL SECTIONS.



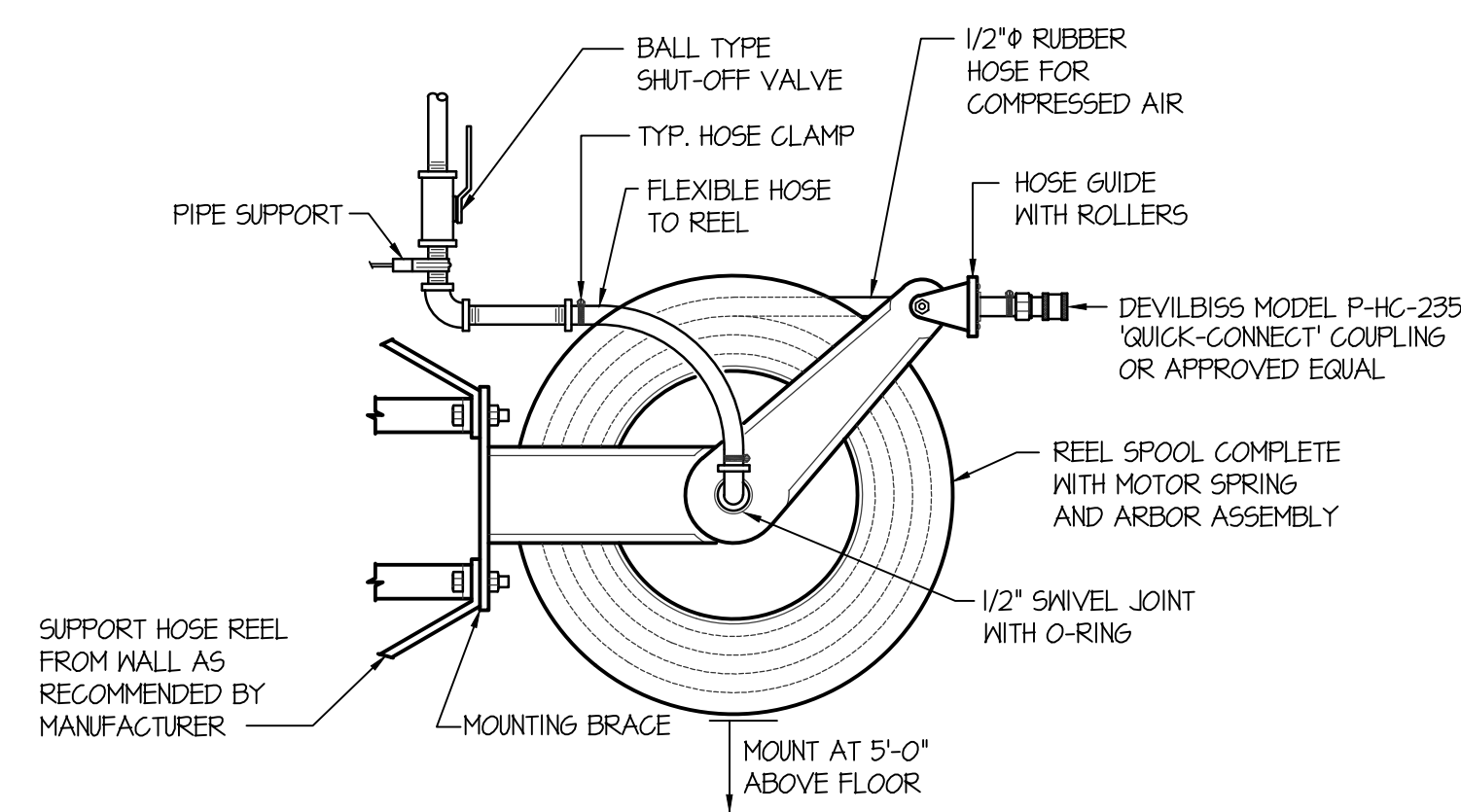
**TRENCH DRAIN INSTALLATION DETAILS**  
NO SCALE



**CATCH BASIN PIPING DETAIL**  
NO SCALE



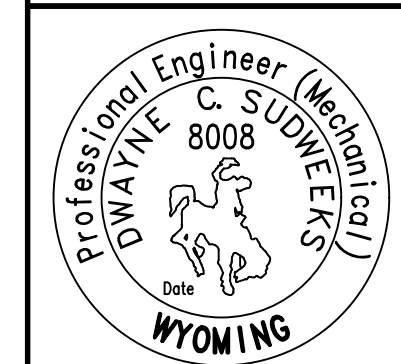
**COMPRESSED AIR OUTLET DETAIL**  
NO SCALE



**COMPRESSED AIR OUTLET DETAIL**  
NO SCALE

FIXTURE SCHEDULE						
SYM.	DESCRIPTION	HOT	COLD	WASTE	VENT	AIR
AO-1	AIR HOSE REEL - LINCOLN INDUSTRIAL MODEL LNI 83754. MOUNT AT 5'-0" AFF TO B.O. REEL.	---	---	---	---	3/4"
AO-2	AIR OUTLET - DEVILBISS MODEL P-HC-235 'QUICK-CONNECT' COUPLING.	---	---	---	---	1/2"
ES-1	EMERGENCY EYEWASH STATION - HAWK T260BT WITH PUSH-OPEN BALL VALVE, EYEWASH BOWL, 1/2" SUPPLY LINE AND 1-1/2" WASTE LINE WITH P-TRAP. REFER TO DETAIL P/P-3	---	1/2"	1-1/2"	1-1/2"	---
OD-1	OVERFLOW DRAIN - JAY R SMITH MODEL 1080 SIZE 3" WITH 2" HIGH WATER DAM AND UNDERDECK CLAMP.	---	---	3"	---	---
RD-1	ROOF DRAIN - JAY R SMITH MODEL 1010 SIZE 3" WITH UNDERDECK CLAMP.	---	---	3"	---	---
S-1	SEMI-CIRCULAR WASH BASIN - BRADLEY MODEL WF2104-A-STD-1R 'STAINLESS STEEL' 54"Ø CIRCULAR BASIN WITH OFF-LINE VENT AND IN WALL SUPPLIES, 2" WASTE LINE WITH DEEP SEAL P-TRAP AND THERMOSTATIC MIXING VALVE WITH INFRARED CONTROL.	3/4"	3/4"	2"	1-1/2"	---
WF-1	WALL FLANGE - JAY R SMITH MODEL IT10 SIZE 6" WITH ROUGH BRONZE FINISH AND 6" DRAIN LINE CONNECTION	---	---	6"	---	---
WH-1	UNDER COUNTER ELECTRIC INSTANTANEOUS WATER HEATER - EEMAX MODEL EX4208 WITH 4.1 KW HEATING ELEMENT (20 AMP) AND 1/2" WATER LINE CONNECTIONS. (208 VOLT - 1 PHASE)	1/2"	1/2"	---	---	---

ORIGINAL DRAWING SIGNED BY: DWAYNE C. SUDWEEKS  
DATE ORIGINAL SIGNED: Jan 25, 2019  
ORIGINAL ON FILE AT ENGINEERED SYSTEMS ASSOCIATES  
1355 EAST CENTER, POCA TELLO, IDAHO 83201



**Engineered Systems Associates**  
1355 EAST CENTER  
POCA TELLO, IDAHO 83201  
PHONE: (208) 233-0501  
FAX: (208) 233-0529  
EMAIL: esa@engsystems.com  
ESA JOB NUMBER: 16082

TECHNICAL CAREER CENTER FOR:  
**STAR VALLEY HIGH SCHOOL**  
LINCOLN COUNTY SCHOOL DISTRICT NO. 2  
445 SWIFT CREEK LANE, AFTON, WYOMING 83110

**nw architects p.a.**  
ARCHITECTURE PLANNING INTERIORS  
SCOTT L. NIELSON, A.I.A. KEVIN R. BODILY, A.I.A. JAMES H. WYATT, A.I.A.  
990 JOHN WILKS PARKWAY, P.O. BOX 2712 - HORNBILL, IDAHO 83402-2712  
(208) 532-8779 (208) 532-8765 (208) 532-8765

PROJECT TITLE:  
PLUMBING DETAILS AND SCHEDULES

REVISIONS

PROJECT NO. 16061  
DATE: MARCH 2019  
DRAWN BY: T. DRAVIS  
CHECKED BY: D. SUDWEEKS

DRAWING NO.:

**P2.0**